

RoomMatch® 5° vertical asymmetrical DeltaQ™ array loudspeakers for installation



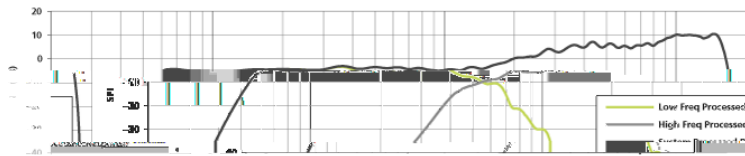
Key Features

- **Bose EMB2 compression drivers** – deliver the vocal power normally associated with 3-way systems with frequencies from 500 Hz to

RoomMatch® 5° vertical asymmetrical DeltaQ™ array loudspeakers for installation

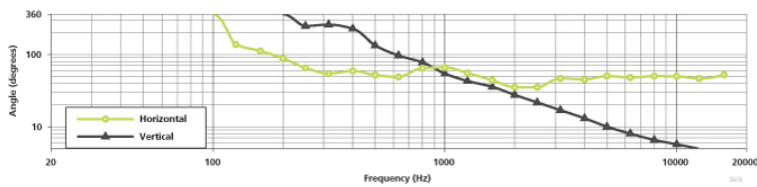


On-Axis Frequency Response



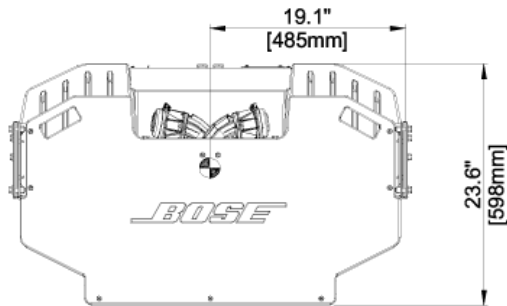
RM5505 measurements shown; other 5° modules similar

Beamwidth

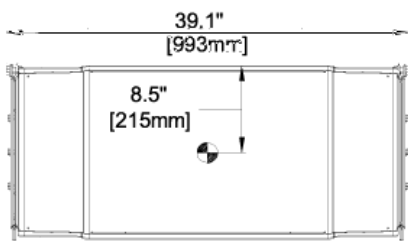


RM5505 measurements shown; other 5° modules similar

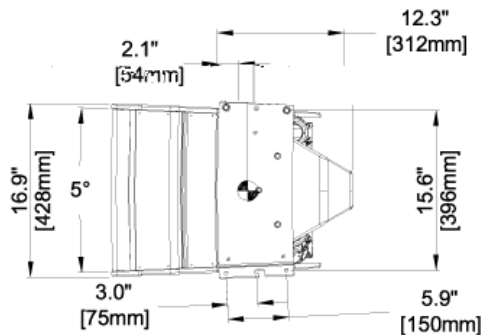
Mechanical Drawings



Top View



Front View



Right View

1. Frequency response and range measured on-axis with recommended EQ in an anechoic environment.
- 2.
3. Sensitivity measured in anechoic acoustic boundary conditions with recommended EQ, referenced to 1W/m.
- 4.